

Micro & Limit Switches

Total Source offer a wide range of micro and limit switches varying in size, duty and actuation type. If you can't find what you're looking for here please don't hesitate to call our sales staff for our full list of products.

TM Series Micro Switches

Best-selling basic switch incorporating high precision in a wide variety.

- Wide variety of actuators.
- High breaking capacity (15A).
- High precision.
- Wide operating speed range.

TZ-9 Series Limit Switches

Robust construction in a economical, miniature limit switch.

- IP65 rated.
- Long life (10,000,000 mechanical operations.)
- Material: Glass reinforced plastic.
- Dustproof and drip-proof construction.
- Smooth operation with greater OT (over-travel)
- Easy-to-wire conduit opening design.

TZ-7 Series Limit Switches

Economical, high utility enclosed switch.

- IP65 rated.
- High precision.
- Long life (10,000,000 mechanical operations.)
- Sealed with gasket diaphragm to provide high sealing property without use of any adhesive or pin.

Extra Heavy Duty Micro Switch

- IP65 rated.
- Solid construction for heavy duty applications.
- 5 amp rating.
- Full 360° activation



TM Series Micro Switches	
Degree of protection	-
Resistive load	15A @ 14VDC 6A (2) @ 30VDC
Vibration	10 to 55Hz 1 5mm double amplitude
Shock	Mechanical Durability: Approx 1,000m/sec ² (approx. 100 G's) Malfunction durability: Approx. 300m/sec ² (approx. 30 G's)
Ambient operating temperature	-25° to + 80°C
Service life	Mechanically: 20,000,000 minimum operations Electrically: 500,000 minimum operations

Part No.	Description
TM1300	Pin head plunger
TM1301	Pin head plunger with lever
TM1303	Pin head plunger with roller lever

Part No.	Description
TM1305	Slim plunger lever
TM1306	Short button plunger
TM1307	Long button plunger
TM1308	Button plunger with roller

Micro Switches

Part No.	Description
TM1309	Cross roller plunger
TM1401	60mm roller lever
TM1701	63mm lever
TM1702	28mm lever

Part No.	Description
TM1703	49mm lever with roller
TM1704	27mm lever with roller
TM1705	110mm wire lever
TM1743	32mm double roller lever

For your nearest distributor call toll free on : **1800 724 690**
www.totalsource.com.au enquires@totalsource.com.au

TZ-9 Series Limit Switches	
Degree of protection	IEC 529 class IP65
Resistive Load	5A @ 14VDC 5A @ 30VDC
Vibration	10 to 55Hz 1.5mm double amplitude
Shock	Approx 300m/sec ² (approx. 30 G's)
Ambient operating temperature	-5° to +65°C
Service life	Mechanically: 10,000,000 minimum operations Electrically: 500,000 minimum operations


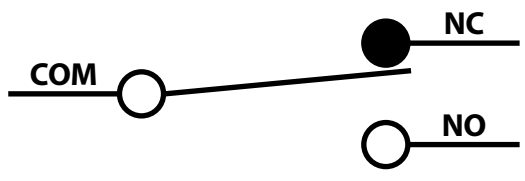
Part No.	Description
TZ9204	Non adjustable roller lever

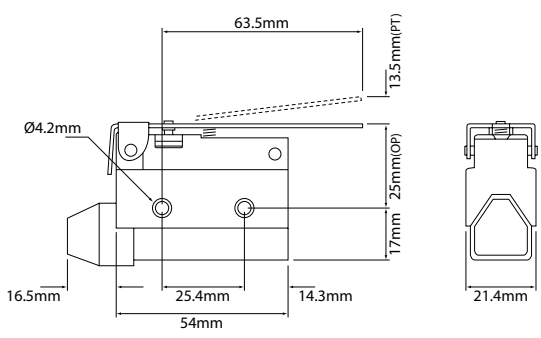
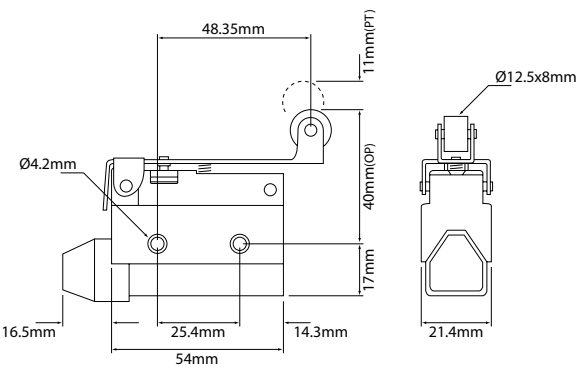
Part No.	Description
TZ9207	Adjustable rod lever

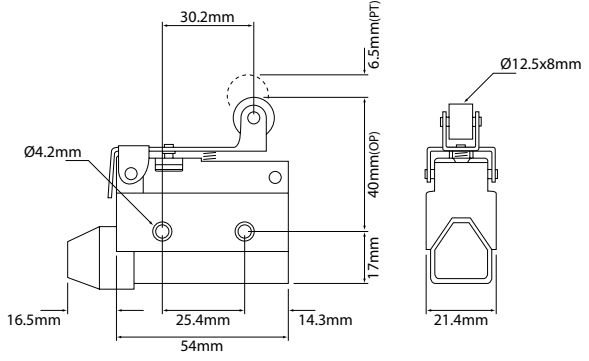
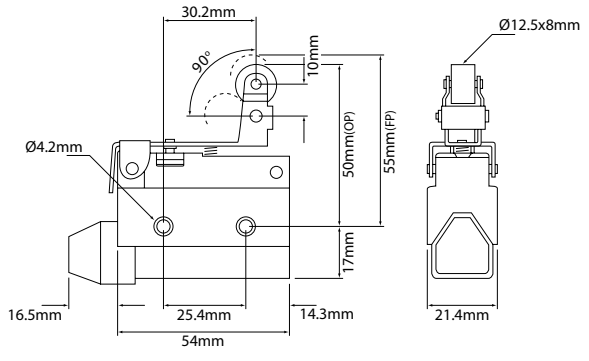
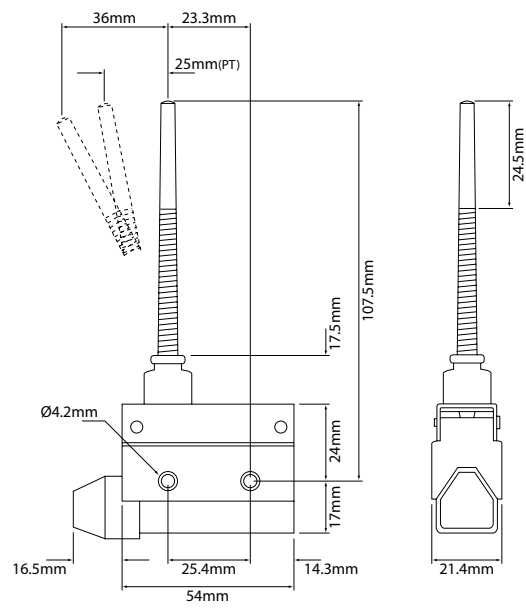
Part No.	Description
TZ9208	Adjustable roller lever

Part No.	Description
TZ9266	Plastic rod lever

Limit Switches

TZ-7 Series Limit Switches	
Degree of protection	IEC 529 class IP65
Resistive Load	10A @ 14VDC 8A @ 30VDC
Vibration	10 to 55Hz 1.5mm double amplitude
Shock	Mechanical Durability: 1,000m/sec ² (approx. 100 G's) Malfunction durability: 300m/sec ² (approx. 30 G's)
Ambient operating temperature	-10° to + 80°C
Service life	Mechanically: 10,000,000 minimum operations Electrically: 500,000 minimum operations
	
	

Part No.	Description
TZ7120	63.5mm lever
	
TZ7121	48mm roller lever
	

Part No.	Description
TZ7141	30mm roller lever
	
TZ7144	30mm double roller lever
	
TZ7166	Plastic rod lever
	

For your nearest distributor call toll free on : **1800 724 690**
www.totalsource.com.au enquires@totalsource.com.au

Part No.	Description
TZ7310	Long button plunger
TZ7311	Button plunger with roller
TZ7312	Cross roller plunger

Heavy Duty Micro Switch		
Degree of protection	IP65, UL recognised, CE & CSA certified	
Resistive Load	15A @ 14VDC	6A @ 30VDC
Ambient operating temperature	-25° to + 80°C	
<ul style="list-style-type: none"> • Extra heavy duty. • Die-cast zink body. • Water resistant. • Full 360° movement/activation. 		
Part No.	Description	
SW15	Extra heavy duty spring lever	