



Low Coolant Alarm

Total Source's Low Coolant Alarm Kits are designed to monitor engine coolant levels on motor powered equipment to help prevent premature engine failure.

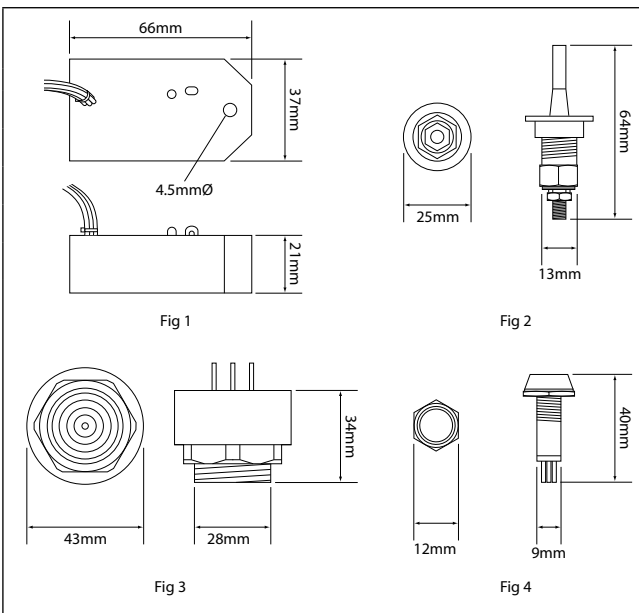
All coolant level devices are built to withstand exposure to the elements, making them ideal for industrial and mining applications.

- Probes have stainless steel cores
- Modules utilise an AC sensing circuit preventing electrolysis
- Solid state
- Self diagnostic LED inbuilt in all modules
- Loop link on modules for flashing output
- Universal fitment - Hermetically sealed modules



Low Coolant Alarm Kits

Part No.	Contents	Voltage
8015002-Kit-12V	Coolant Module, Water level probe, Warning buzzer, Pilot lamp	12
8015002-Kit-24V	Coolant Module, Water level probe, Warning buzzer, Pilot lamp	24



Components

Part No.	Description	Voltage	Fig
8015002	Low coolant module	12-24	1
ISR1220S	Water level probe	12-24	2
B657	Warning buzzer	12-24	3
62092BL	Pilot lamp Red LED	12	4
62097BL	Pilot lamp Red LED	24	4