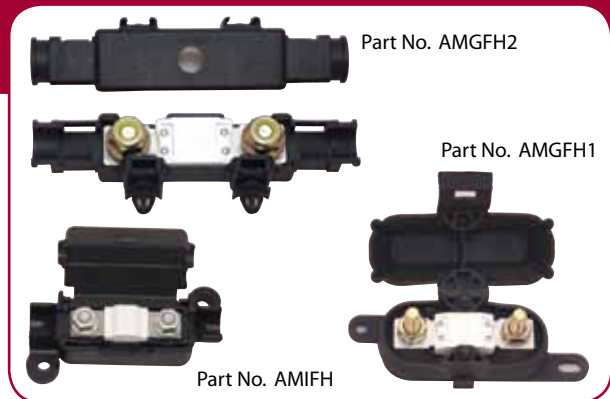


## Bolt in Fuses & Fuse Holders

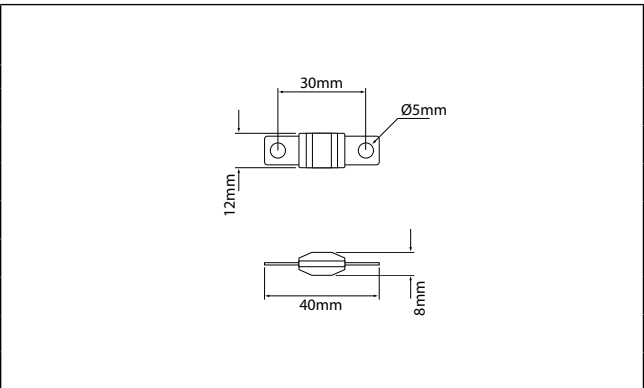
AMI and AMG style fuses are designed for use in heavy duty power distribution circuits or any application requiring a strong and reliable fuse and fuseholder.

The bolt on connection ensures a positive connection, removing any problems normally associated with blade & glass fuses.

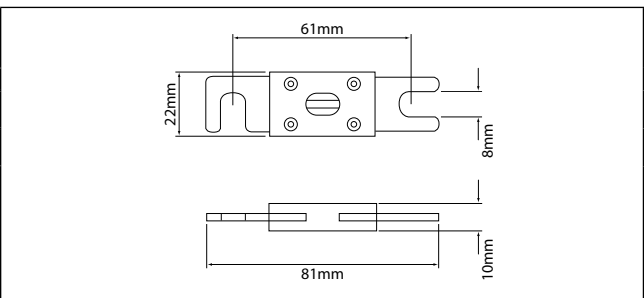
They are ideal for use in mining, emergency services vehicles, battery chargers, inverters and many more applications.



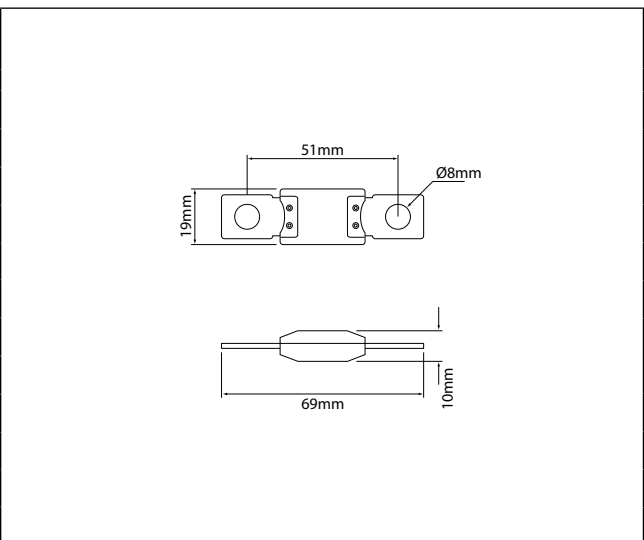
Fuses - AMI & ANL		
Part No.	Current rating (amps)	Color
AMI30	30	Orange
AMI40	40	Green
AMI50	50	Red
AMI60	60	Yellow
AMI70	70	Brown
AMI80	80	White
AMI100	100	Blue
AMI125	125	Pink

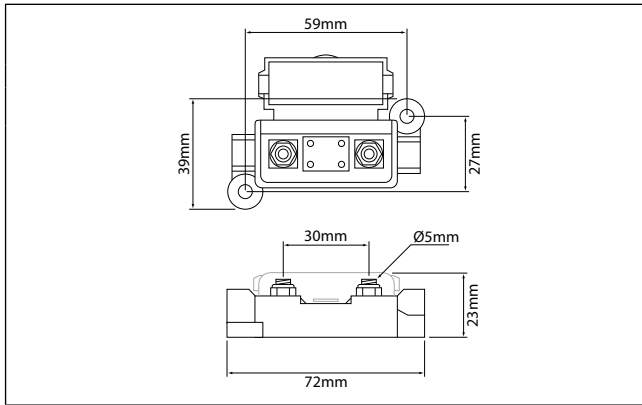


Fuses - AMI & ANL		
Part No.	Current rating (amps)	Color
ANL500	500	Brown
ANL675	675	Brown

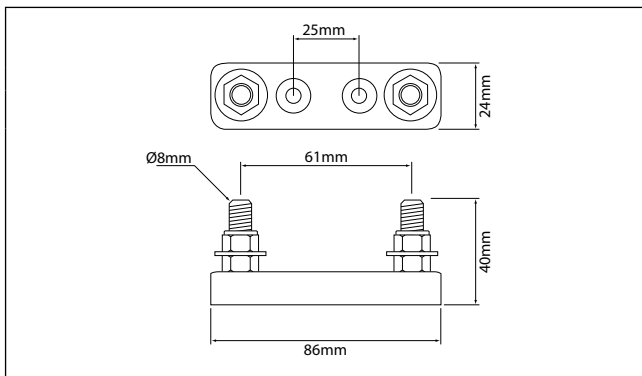


Fuses - AMG		
Part No.	Current rating (amps)	Color
AMG40	40	Black - White text
AMG60	60	Black - White text
AMG80	80	Red
AMG100	100	Black - Yellow text
AMG125	125	Black - Green text
AMG150	150	Black - Orange text
AMG175	175	Black - White text
AMG200	200	Black - Blue text
AMG225	225	Black - Brown text
AMG250	250	Black - Pink text
AMG300	300	Grey
AMG500	500	Brown

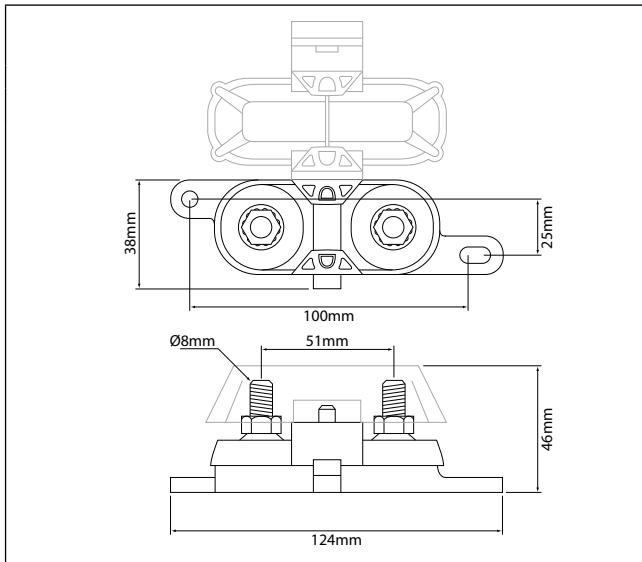




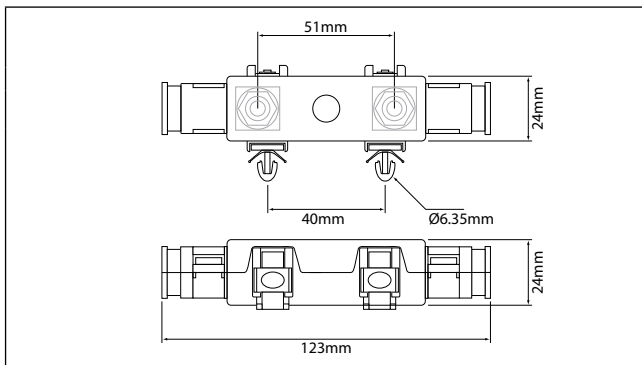
<b>Fuse Holder - Surface Mount - AMI</b>	
Part No.	Description
<b>AMIFH</b>	Fuse holder to suit AMI style fuse
<p><i>Plastic surface mount fuse holder with hinged lid.</i></p> <p><i>Two M5 X 1.25mm bolts are moulded into the base and nuts and washers are supplied.</i></p>	



<b>Fuse Holder - Surface Mount - ANL</b>	
Part No.	Description
<b>ANLFH1</b>	Fuse holder ANL type
<p><i>Metal surface mount fuse holder to suit ANL style fuses.</i></p> <p><i>Two 8 X 1 25mm threaded bolts with securing nuts and washers are supplied.</i></p> <p><i>Suit Caterpillar applications</i></p>	



<b>Fuse Holder - Surface Mount - AMG</b>	
Part No.	Description
<b>AMGFH1</b>	Fuse holder to suit AMG style fuse
<p><i>Plastic surface mount fuse holder with rubber lid.</i></p> <p><i>Two 8 X 1 25mm thread bolts are moulded into the base and nuts and washers are supplied.</i></p>	



<b>Fuse Holder - Inline or Panel Mount - AMG</b>	
Part No.	Description
<b>AMGFH2</b>	Fuse holder to suit AMG style fuse
<p><i>Can be panel mounted when used with the supplied clips, 6.35mm holes required.</i></p> <p><i>Supplied as two identical housings which clip together to make the fuse holder.</i></p> <p><i>Two 8 X 1 25mm thread bolts and nylock nuts supplied.</i></p>	

