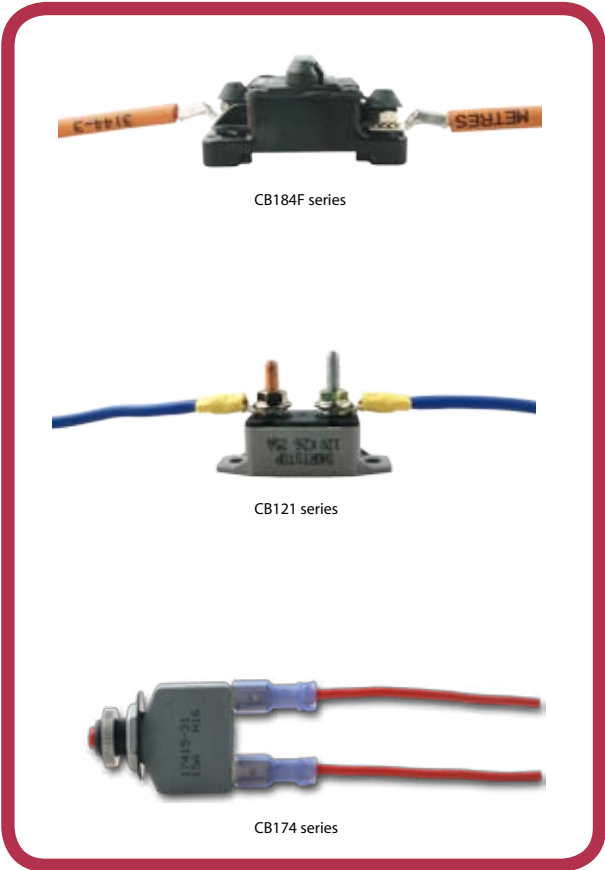
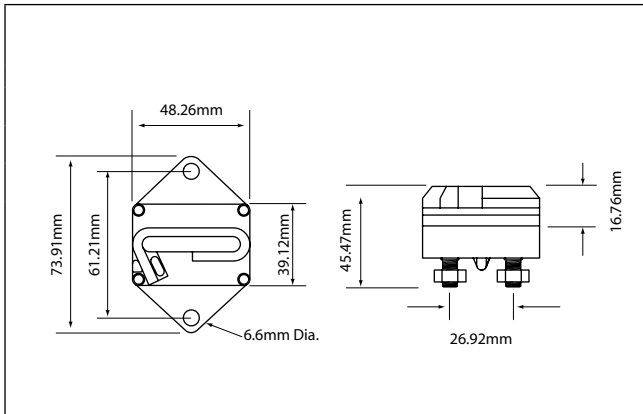


Circuit Breakers



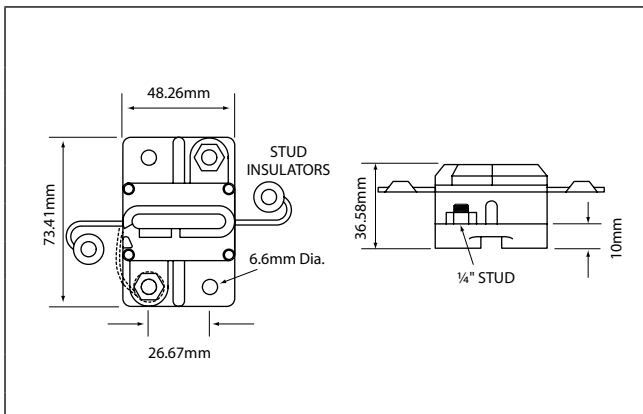
The Bussman® range of circuit breakers are designed and manufactured to exceed SAE standards, utilising over 80 years experience in the circuit protection industry. There is a wide range of circuit breakers available with uses for applications in small current circuits to larger, more draining circuits.



Manual Reset Panel Mount

Part No.	Current Rating (amps)	Pack Qty
CB184P-60	60	1
CB184P-80	80	1
CB184P-100	100	1
CB184P-120	120	1

• Wires are connected via two 1/4" studs



Manual Reset Surface Mount

Part No.	Current Rating (amps)	Pack Qty
CB184F-30	30	1
CB184F-40	40	1
CB184F-60	60	1
CB184F-70	70	1
CB184F-80	80	1
CB184F-100	100	1
CB184F-120	120	1
CB184F-150	150	1

Switchable Manual Reset Panel Mount

Part No.	Current Rating (amps)	Pack Qty
CB255-10	10	1
CB255-15	15	1
CB255-20	20	1
CB255-25	25	1
CB255-30	30	1
CB255-35	35	1
CB255-40	40	1
CB255-50	50	1

Manual Reset Panel Mount

Part No.	Current Rating (amps)	Pack Qty
CB174-10	10	1
CB174-15	15	1
CB174-20	20	1
CB174-25	25	1
CB174-30	30	1
B151-BOOT	Protective boot	1

Metal Short Stop

Part No.	Current Rating (amps)	Pack Qty
CB121-10M	10	1
CB121-15M	15	1
CB121-20M	20	1
CB121-25M	25	1
CB121-30M	30	1
CB121-40M	40	1
CB121-50M	50	1

• This circuit breaker is an automatic reset.

Plastic Short Stop

Part No.	Current Rating (amps)	Pack Qty
CB121-8	8	1
CB121-10	10	1
CB121-15	15	1
CB121-20	20	1
CB121-25	25	1
CB121-30	30	1
CB121-40	40	1
CB121-50	50	1

• This circuit breaker is an automatic reset.