

## Activating Switches

A high quality range of IP65 rated, 10 amp switches to enable the easy activation and control of our reversing and warning alarms.

Switches with spring tail operate with full 360° movement.



SW27 & SW33 feature protective cover & boot



SW15 comes standard with adjustable mounting bracket



SW22 comes standard with mounting bolts



SW15 features heavy duty strain relief



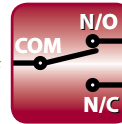
SW22 compatible with Schlemmer range of Threadconnect adaptor kits



Switches with spring tail operate with full 360° movement



Can be configured as N/O or N/C



All switches are IP65 & rated to 10 amps max



### Activating Switches

Part No.	Amps	Switch Contacts	Main Body Material	Hole Centres - mm	Fig
SW15	10	Three contacts - Common, N/O, N/C (changeover)	Die-cast	25	1
SW22	10	Three contacts - Common, N/O, N/C (changeover)	Plastic	22	2
SW27	10	Three contacts - Common, N/O, N/C (changeover)	Metal	25	3
SW33	10	Three contacts - Common, N/O, N/C (changeover)	Metal	25	4

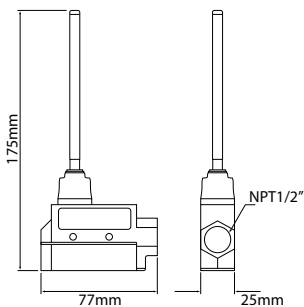


Fig.1

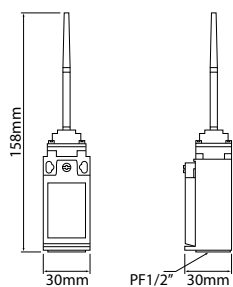


Fig.2

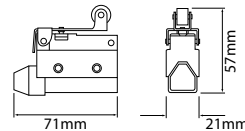


Fig.3

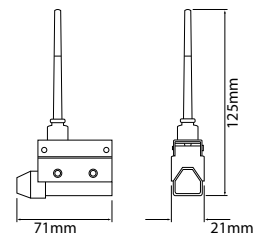


Fig.4