



End Caps & Sleeves

End Caps & Sleeves offer the ability to pass single or multiple cables from a harness while maintaining an excellent degree of protection against dust and water ingress.



Suitable for single or multiple cables



Quick & easy means of conduit termination using End Caps



End Caps with 3, 5 or 6 outlets available

End Caps



Part No. SJ03



Part No. SJ05



Part No. SJ06

End Sleeves



Part No. SJ12



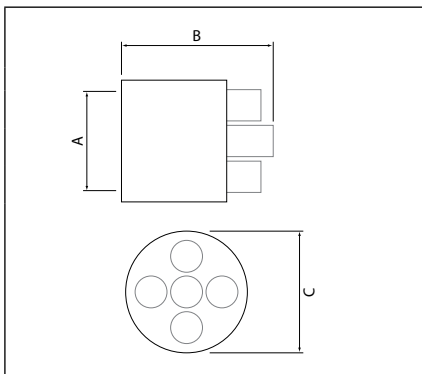
Part No. SJ25



Part No. SJ40

End Cap & Sleeve Specifications

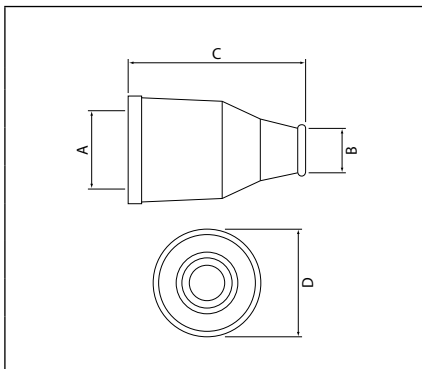
Material :	End Caps	Black PVC
	End Sleeves	Black TPE
Operating Temp :	End Caps	-20°C to +60°C
	End Sleeves	-25°C to +80°C



End Caps

Part No.	NW (A)	NC (A)	B - mm	C - mm	No. of Outlets	Pack Qty
SJ03	8.5 - 10	10 - 12	20	15	3	5
SJ05	10	12	21	17	5	5
SJ06	13	16	24	19	6	5

Single cable outlets can be achieved by trimming the end from an individual gland.



End Sleeves

Part No.	NW (A)	NC (A)	Outlet Diameter - mm (B)	C - mm	D - mm	Pack Qty
SJ12	10	12	4 - 8	29	18	5
SJ16	13	16	6 - 10	33	22	5
SJ20	17	20	9 - 15	33	27	5
SJ25	22	25	10 - 17	47	29	5
SJ32	29	32	12 - 20	48	35	1
SJ40	37	40	19 - 30	47	44	1

Fitting Accessories

Cable Glands

Cable glands are rated to IP68 and due to their high quality construction offer maximum grip and strain relief on a variety of harness applications even in the most rugged of conditions.



Part No. SR63

Part No. SR32

IP68
gas & water
tight seal



Conical seal
& clamp
design ensures
maximum
strain relief
to cable



Suitable for
use with cable
diameters
2.5 to 48mm



Cable Gland Specifications

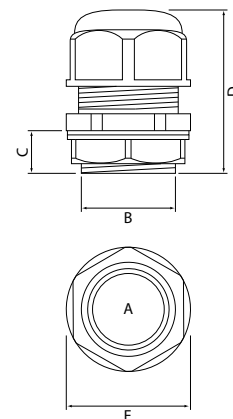
Material :	Polyamide 6 (PA6) (Nylon)
	Conical Seal Neoprene
Operating Temp :	-25°C to +100°C
Approvals :	UL, CSA, VDE

Cable Glands

Part No.	Clamping Range - mm (A)	Thread Size (B & C)	D - mm	E - mm	Pack Qty
SR12	2.5 - 6.5	M12 X 15mm	30	19	10
SR16	3.5 - 10	M16 X 15mm	45	25	10
SR20	7 - 14	M20 X 15mm	48	29	10
SR25	9 - 18	M25 X 15mm	51	36	10
SR32	14 - 25	M32 X 15mm	55	46	5
SR40	18 - 32	M40 X 16mm	65	59	5
SR50	24 - 38	M50 X 16mm	72	67	1
SR63	35 - 48	M60 X 16mm	67	80	1

One unit comprised of:

- 1 x Adaptor Body
- 1 x Conical Seal
- 1 x Conical Clamp
- 1 x Cap Nut
- 1 x Flat Washer
- 1 x Nut





Conduit Mounts

Conduit End Pieces - Primarily used to stop split conduit from opening apart at the end of a run, Conduit End Pieces are an effective way to secure split conduit and keep it tightly closed around a harness to prevent it from opening under normal conditions.

Conduit Mounting Clips - A secure 'push in' style mounting clip solution to mounting conduit. Requiring a 6.5mm hole and a plate thickness of 0.5mm to 5.1mm these mounting clips make mounting conduit quick and simple.

'P' Clamps - Made from rigid polyacetal resin and feature an offset mounting hole, making it easy to mount after the conduit is inserted.

Hinged Fitting Mounting Clip - Enables Schlemmer Hinged 'T' & 'Y' Piece Fittings (pages 20 - 23), featuring a mounting slot, to become mounting points.



Securely fasten PP Split & PPmod Lockable conduit using End Pieces



Quick & secure 'pop-in' style Christmas Tree mounting clips



'P' Clamps for offset mounting



Make Hinged Fittings (pages 20 - 23) into mounting points



Compatible with PA6, PPmod Lockable or PP Split conduit

Conduit End Pieces



Part No. 9805939



Part No. 9805945

Conduit Mounting Clips

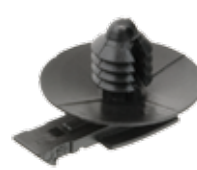


Part No. 9805917



Part No. 9805914

Hinged Fitting Mounting Clip



'P' Clamps



Part No. 8211060



Part No. 8211027

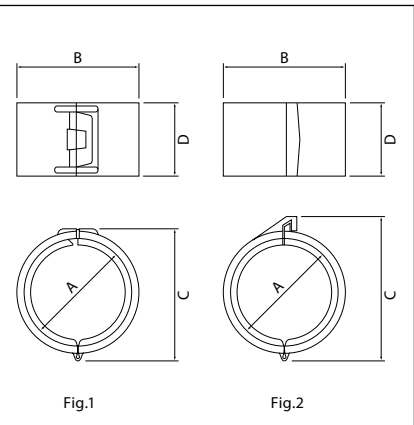
Conduit Mount Specifications

Material :	Conduit End Pieces	Polyamide 66 (PA66)
	Conduit Mounting Clips	Polyamide 66 (PA66)
Operating Temp :	'P' Clamps	Polyacetal Resin
	Hinged Fitting Mounting Clip	Polyamide 66 (PA66)
Operating Temp :	Conduit End Pieces	-40°C to +135°C
	Conduit Mounting Clips	-40°C to +135°C
	'P' Clamps	-60°C to +110°C
	Hinged Fitting Mounting Clip	-40°C to +135°C

Fitting Accessories

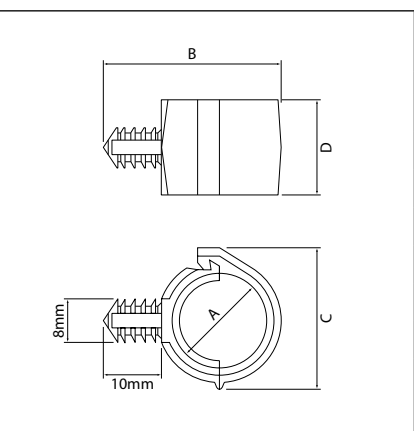
Conduit End Pieces							
Part No.	NW (A)	NC (A)	B - mm	C - mm	D - mm	Pack Qty	Fig
9805940	4.5	6	10	12	10	10	1
9805941	7.5	8	13	15	13	10	1
9805939	8.5	10	16	18	13	10	2
9805942	10	12	16	18	13	10	1
9805943	13	16	19	21	13	10	1
9805944	17	20	24	26	15	10	1
9805945	22	25	29	30	16	10	1

Clamps use corrugations to hold conduits in place to stop any lateral movement.

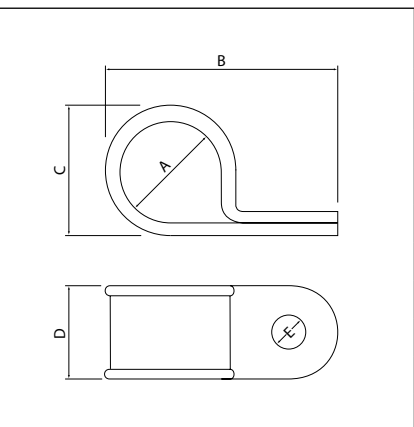


Conduit Mounting Clips							
Part No.	NW (A)	NC (A)	B - mm	C - mm	D - mm	Pack Qty	
9805917	4.5	6	21	13	13	10	
9805911	7.5	8	24	16	13	10	
9805912	8.5	10	25	17	13	10	
9805913	10	12	27	18	13	10	
9805914	13	16	30	21	13	10	
9805925	17	20	35	26	13	10	
9805916	22	25	40	31	13	10	

Clamps use corrugations to hold conduits in place to stop any lateral movement.



'P' Clamps						
Part No.	A - mm	B - mm	C - mm	D - mm	E - mm	Pack Qty
8211060	5.7 - 6.3	28	10	16	6.7	10
8211094	8.6 - 9.3	30	14	16	6.3	10
8211108	9.5 - 10.3	32	15	16	6.7	10
8211124	11.5 - 12.3	34	17	16	6.3	10
8211000	12.3 - 13.3	36	18	16	6.3	10
8211035	15.5 - 16.3	38	121	16	6.7	10
8211019	21.4 - 22.3	47	27	19	6.7	10
8211027	24.4 - 25.3	58	32	23	8.6	10



Hinged Fittings Mounting Clip		
Part No.	Description	Pack Qty
ST-CLIP	'Christmas Tree' Clip	10

Designed specifically for use with Hinged 'T' & 'Y' Piece Fittings, mounting slot required - page 20 - 23.

