



## Siren Amplifiers

Total Source have a range of siren amplifiers suitable for most applications. Featuring models with public address and radio re-broadcast capabilities as well as compact hidden units that change tone with a quick tap of the horn.

Each type is available in either 12 or 24 volt and are compatible with most brands of siren speaker.



12V & 24V models available



Horn activated tone changing on selected models



Public address on selected models



Up to 5 tones available



Radio re-broadcast on selected models



Soft start on selected models



EA1001 Series



Part No. SA500-12



Part No. SS700-24

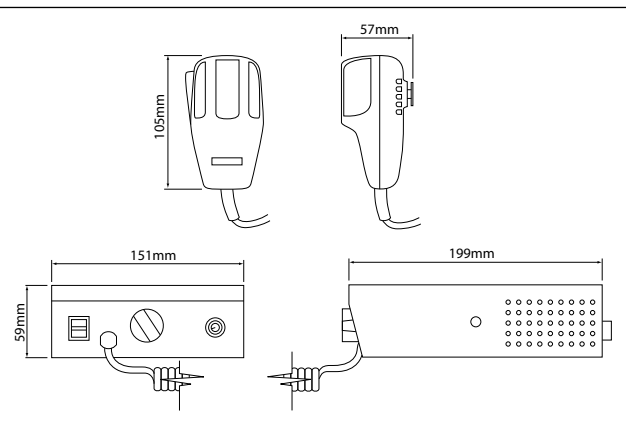


Part No. 809-001/2

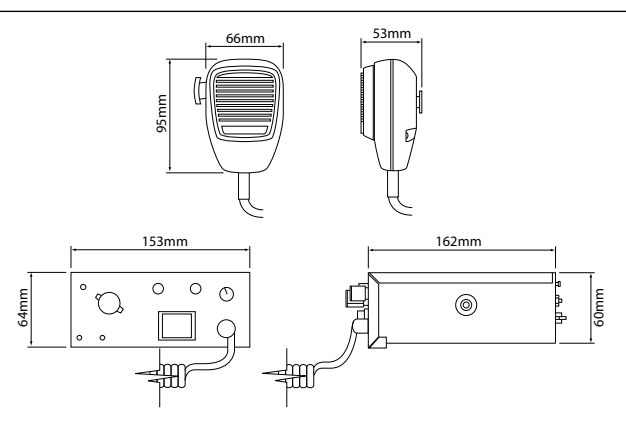


Part No. 809-004/6

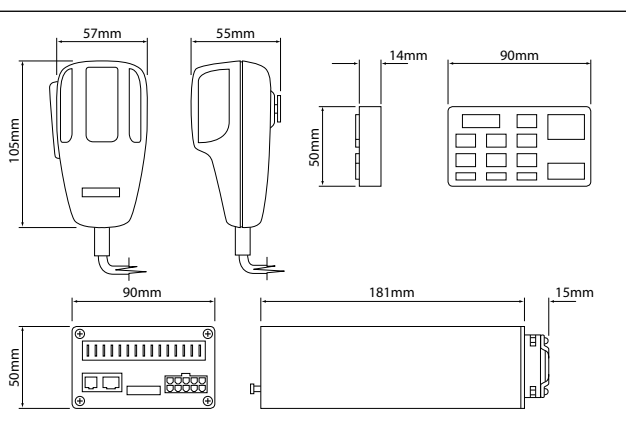
<b>Siren Amplifier PA - 60 Watt</b>			
Part No.	Voltage	Output	Description
EA1001/12V	12	60W	Amplifier & Microphone
EA1001/24V	24	60W	Amplifier & Microphone
<b>Features</b>		<b>Tones:</b> • Wail • Yelp • High Low • Phaser • Air Horn	
• Public Address			



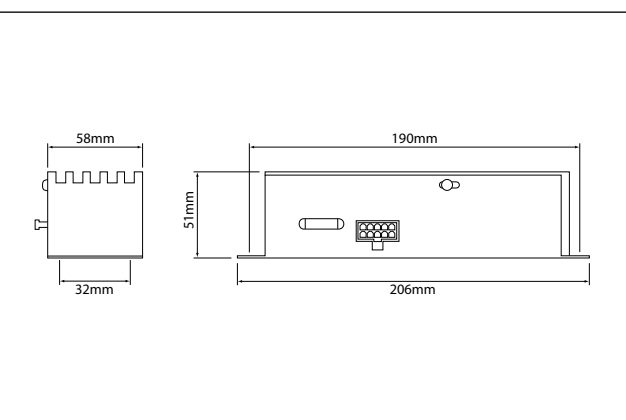
<b>Siren Amplifier PA - 100Watt</b>			
Part No.	Voltage	Output	Description
SA500-12	12	100W	Amplifier & Microphone
SS700-24	24	100W	Amplifier & Microphone
<b>Features</b>		<b>Tones:</b> • Wail • Yelp • Phaser • Air Horn	
• Public Address • Radio Re-Broadcast • Auxiliary Input • Park Kill • Horn ring cycler • Manual & Alert settings			



<b>Siren Amplifier PA - Remote Head 100W</b>			
Part No.	Voltage	Output	Description
809-001	12	100W	Amplifier & Microphone
809-002	24	100W	Amplifier & Microphone
<b>Features</b>		<b>Tones:</b> • Wail • Yelp • Hi-Low • Phaser • Air Horn	
• Public Address • Radio Re-Broadcast • Park Kill • Horn ring cycler • Manual setting • Softstart siren & manual wail • Control Pad with 8 x lighting control			



<b>Siren Amplifier - Remote Head 100W</b>			
Part No.	Voltage	Output	Description
809-004	12	100W	Amplifier only
809-006	24	100W	Amplifier only
<b>Features</b>		<b>Tones:</b> • Wail • Yelp • Phaser • Air Horn	
• Horn ring cycler • Softstart siren			





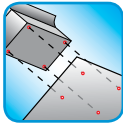
## Siren Speakers

Total Source range of siren speakers can be used in a multitude of applications. Available in two styles, traditional two piece, driver and cone or one piece full die-cast models.

Built to the highest standards and available in 60 and 100 Watt, Total Source siren speakers are compatible with most brands of siren amplifier on the Australian market.

**60 Watts**  
or  
**100 Watts**

60 or 100 Watt models



Universal mount



Durable cast body



Polycarbonate speaker cone



Part No. TC60H



Part No. TC69/90



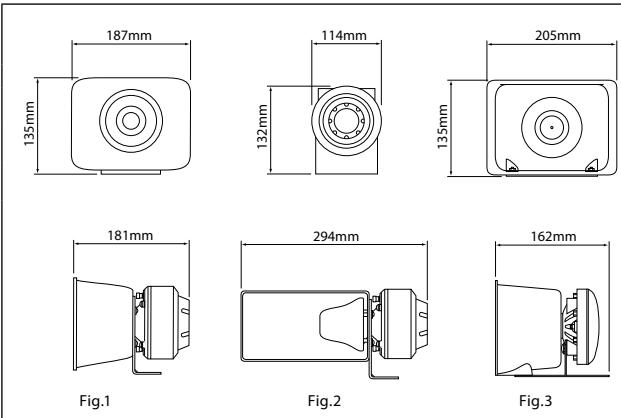
Part No. TC100H



Part No. SH3015

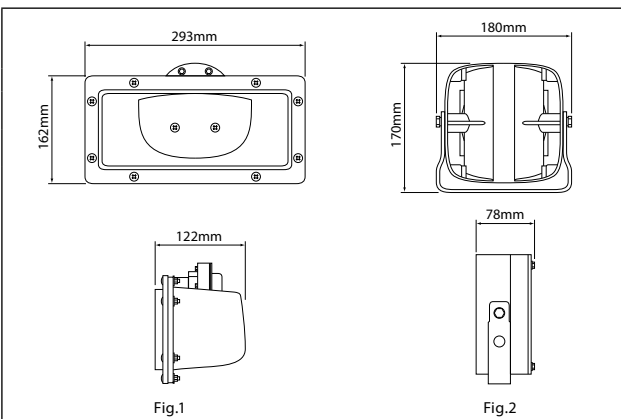


Part No. 810-011



### Siren Speaker

Part No.	Watts	Weight	Figure
<b>TC60H</b>	60	2.4kg	1
<b>TC60/90</b>	60	2.4kg	2
<b>TC100H</b>	100	3kg	3



### Siren Speaker - Alloy

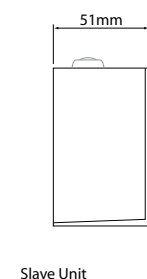
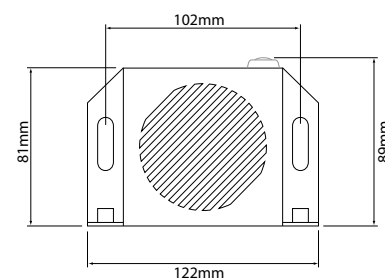
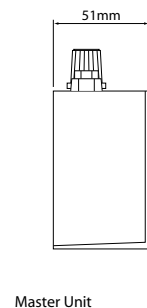
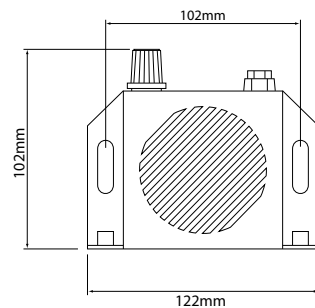
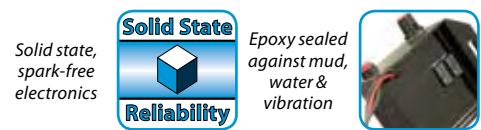
Part No.	Watts	Weight	Figure
<b>SH3015</b>	100	4.2kg	1
<b>810-011</b>	100	3.29kg	2

## Backchat Vehicle Intercom

Originally designed and built to withstand the harsh conditions encountered by drilling machines used in the construction of the Channel Tunnel, the BACKCHAT® two-way communication system is now available for all industries.

BACKCHAT® is available in either simplex (voice activated rear microphone) or duplex (push button to talk on both ends), and provides clear, reliable communication that can be mounted internally or externally. Master unit includes volume control.

Ideal for any vehicle on which the driver needs to communicate with others not in the cab; e.g., garbage collection vehicle, horsebox, security vehicle, prisoner transport, etc.



### Backchat Specifications

Voltage :	12-24V
Current Draw :	0.4A
Operating Temperature :	-40°C to +85°C
Sound Level :	80 - 90 dB(A) @ 1m
Body :	AES Plastic
Harness Length :	25m
Weight :	Master 0.3Kg Slave 0.27Kg
IP Rating :	IP 67

BACKCHAT® Vehicle Intercoms	
Part No.	Description
BCVI	Simplex Kit - Voice Activated Slave
BCVI-2	Duplex Kit - Push to Talk Slave
BCVI-SLAVE	Simplex Slave Only - Voice Activated
BCVI-2-SLAVE	Duplex Slave Only - Push to Talk