



Fluorescent Interior Lamps

The Fluorescent Interior Lamp range is available in 20 and 40 watts. They are encased in a heavy duty acrylic tube with push on eurethane endcaps for easy tube replacement. These lamps can be purchased as a kit including inverter, or lamp only.

Inverters are available in a standard housing for use in protected areas or sealed for use in more extreme conditions.



Heavy duty 4mm acrylic tube outer shell.



Inverters available in IP68 or IP54 housing.



Deutsch DT series 4 pin connector.



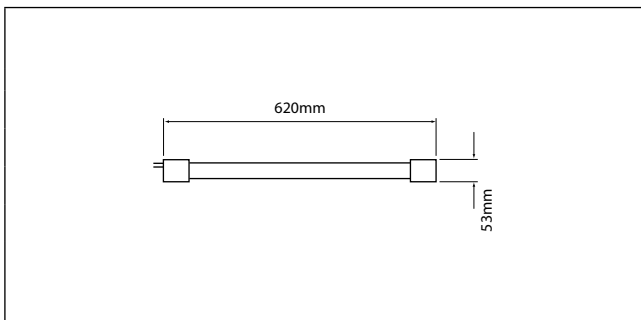
Push on eurethane endcaps for easy tube replacement.



20 or 40 watt models available.



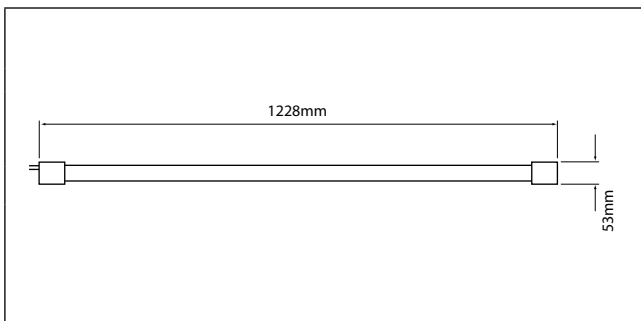
Available as a kit* or lamp only. *IP54 rated inverters supplied.



Fluorescent Interior Lamp - 20 Watt

Part No.	Voltage	Watts	Description
PO2420	N/A	20	Light assembly only
PO1220F	12	20	Kit - Light + Inverter
PO2420F	24	20	Kit - Light + Inverter
PO2420F2XS	24	20	Kit - Light x 2 + Inverter

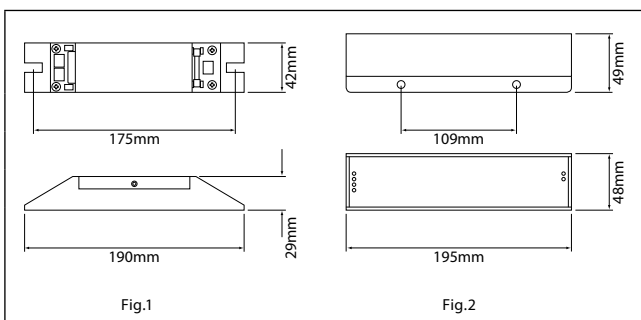
Kits supplied complete with all connectors and standard IP54 housed inverters.



Fluorescent Interior Lamp - 40 Watt

Part No.	Voltage	Watts	Description
PO2440	N/A	40	Light assembly only
PO1240F	12	40	Kit - Light + Inverter
PO2440F	24	40	Kit - Light + Inverter

Kits supplied complete with all connectors and standard IP54 housed inverters.



Fluorescent Lamp Inverter

Part No.	Voltage	Watts	Description	Fig
EF1240	12	20-40	Standard IP54 Housing	1
EF2440	24	20-40	Standard IP54 Housing	1
EF2440S	24	20-40	Sealed IP68 Housing	2

Inverter can be used power up to 2 x 20W or 1 x 40W lamps. For optimal results, cable from inverter to lamp should not exceed 6m.