

Reference
Manual

SC
2010

Schlemmer Connectors





Solenoid Connectors



5 Pole Inline Connector



Inline Bayonet Connector



Bulkhead Connector

Material

- Body Polyamide 6
- Seals Neoprene
- Contacts Brass nickel plated

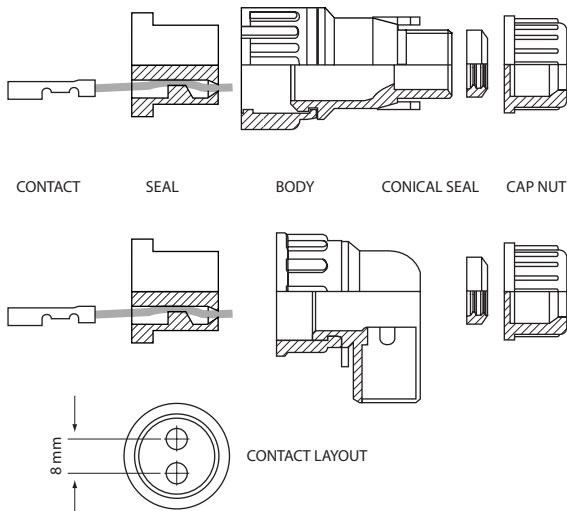
Conduit Sealed Connectors

This versatile range of Schlemmer® connectors offers the added ability to maintain a sealed harnesses integrity.

All kits containing both male & female halves have an IP67 rating for the connector itself when assembled as in the supplied diagrams.

When used with the supplied conical seal the connector will have a rating of IP67 at the conduit.

For contact crimping and removal tools go to page 16.



Solenoid Connectors - 2 Pole

Part No.	Conduit Size - mm	Contacts	Contact - mm	Thread Size	Pack Qty
SG272	8	2	3.5	M27 x 1.0	1

Solenoid Connector 90° - 2 Pole

Part No.	Conduit Size - mm	Contacts	Contact - mm	Thread Size	Pack Qty
SG24902	12	2	3.5	M24 x 1.0	1
SG27902	12	2	3.5	M27 x 1.0	1

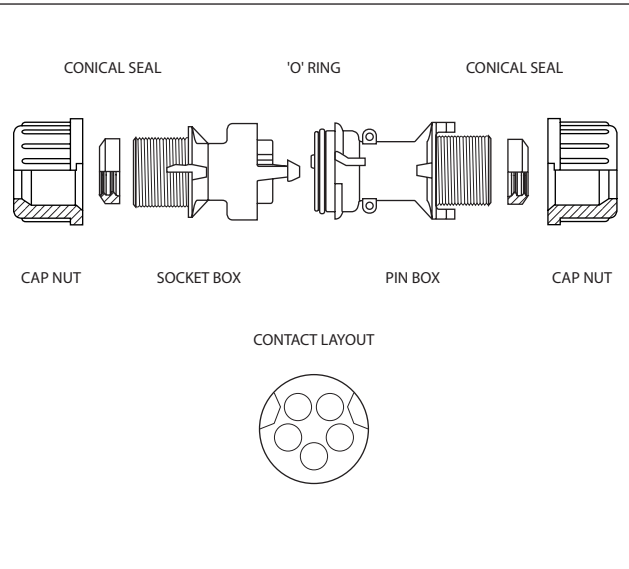
*Kit contains :
Sockets 2 x 3.5 mm, Seal x 1, Housing x 1, Conical Seal x 1,
Cap Nut x 1.*

Assemble as in diagram.

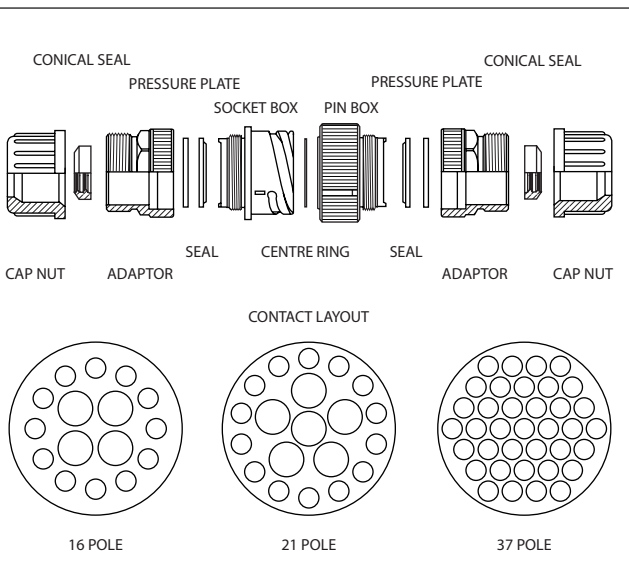
Contact Part No.	Size - mm / Type	Amps	Cable mm ²	Crimp Tool	Pack Qty
7702973	3.5 Socket	25	2.5 - 6.0	D	1

Sealed Connectors

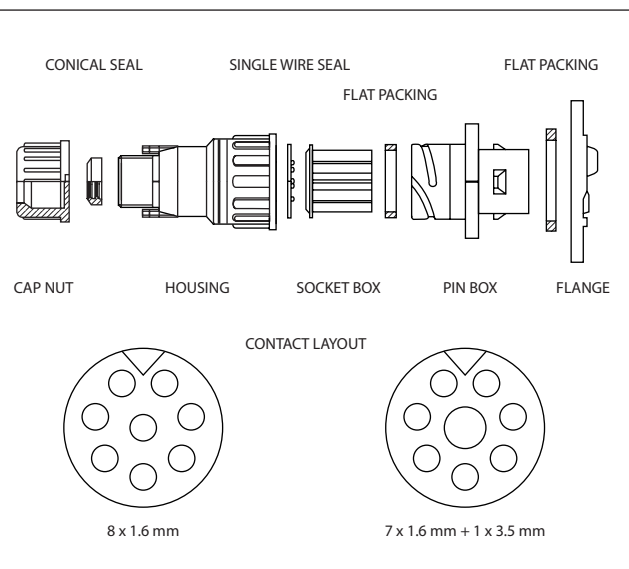
Inline Connectors - 5 Pole						
Part No.	Conduit Size - mm	Circuits	Contact Configuration - mm		Pack Qty	
SG05	12	5	5 x 1.6		1	
<p><i>Kit contains :</i> Sockets 5 x 1.6 mm, Pins 5 x 1.6 mm, Socket Box x 1, Pin Box x 1, 'O' Ring x 1, Conical Seal x 2, Cap Nut x 2.</p> <p><i>Assemble as in diagram.</i></p>						
Contact Part No.	Size - mm / Type	Amps	Cable mm ²	Crimp Tool	Removal Tool	Pack Qty
7814011	1.6 Socket	13	0.5 - 1.5	D	-	1
7815018	1.6 Pin	13	0.5 - 1.5	D	-	1



Inline Bayonet Connectors						
Part No.	Conduit Size - mm	Circuits	Contact Configuration - mm		Pack Qty	
SG16	25	16	12 x 1.6	4 x 3.5	1	
SG21	25	21	14 x 1.6	7 x 3.5	1	
SG37	25	37	37 x 1.6		1	
<p><i>Kit contains :</i> Sockets x 16, 21 or 37 as listed, Pins x 16, 21 or 37 as listed, Socket Box x 1, Pin Box x 1, Adaptor x 2, Pressure Plate x 2, Seal x 2, Centre Ring x 1, Conical Seal x 2, Cap Nut x 2.</p> <p><i>Assemble as in diagram.</i></p>						
Contact Part No.	Size - mm / Type	Amps	Cable mm ²	Crimp Tool	Removal Tool	Pack Qty
7814011	1.6 Socket	13	0.5 - 1.5	D	-	1
7815018	1.6 Pin	13	0.5 - 1.5	D	-	1
7814038	3.5 Socket	25	2.5 - 6.0	D	-	1
7815034	3.5 Pin	25	2.5 - 6.0	D	-	1



Bulkhead Connectors - 8 Pole						
Part No.	Conduit Size - mm	Circuits	Contact Configuration - mm		Pack Qty	
SG081	12	8	8 x 1.6		1	
SG082	12	8	7 x 1.6	1 x 3.5	1	
<p><i>Kit contains :</i> Sockets x 8 as listed, Pins x 8 as listed, Housing x 1, Single Wire Seal x 1, Socket Box x 1, Pin Box x 1, Flat Packing x 2, Flange x 1, Conical Seal x 1, Cap Nut x 1.</p> <p><i>Assemble as in diagram.</i></p>						
Contact Part No.	Size - mm / Type	Amps	Cable mm ²	Crimp Tool	Removal Tool	Pack Qty
7814011	1.6 Socket	13	0.5 - 1.5	D	-	1
7815018	1.6 Pin	13	0.5 - 1.5	D	-	1



Contact Sealed Connectors

The Schlemmer® range of contact sealed connectors provides a seal of IP67 rating by utilising a seal attached to the back of the electrical contact.

This method allows for a sealed connection regardless of the type of conduit used, slit or unslit and is ideal for applications where contact integrity is vital.

For contact crimping and removal tools go to page 16.



4 Pole Connector



5 Pole Inline Connector



8 Pole Connector

Seals, Blinds & Contact Locks

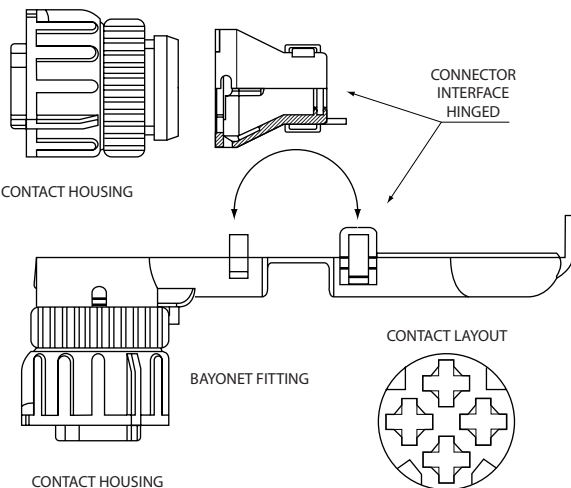


Check kit listing for contents.

Material

- Body Polyamide 6
- Seals Neoprene
- Contacts Brass nickel plated

BAYONET FITTING



Sealed Connector - 4 Pole

Part No.	Conduit Size - mm	Circuits	Contact Configuration - mm	Pack Qty
SQ401	10	4	4 x 6.7	1

Sealed Connector 90° - 4 Pole

Part No.	Conduit Size - mm	Circuits	Contact Configuration - mm	Pack Qty
SQ409	10	4	4 x 6.7	1

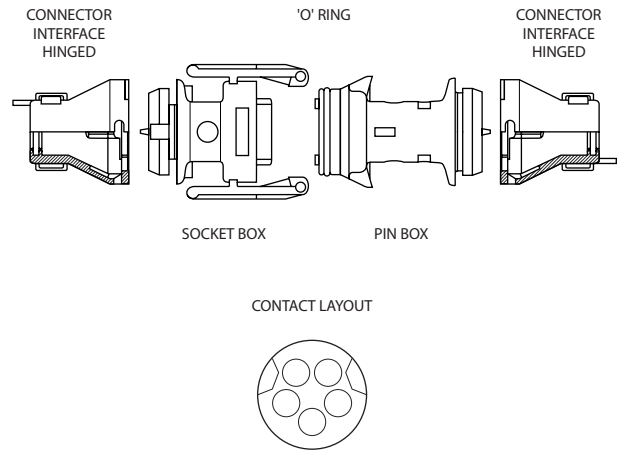
Kit contains :

Sockets 4 x 6.7 mm, Contact Housing x 1, Seals x 4, Blind Seals x 2, Contact Lock x 1, Connector Interfaces x 1.

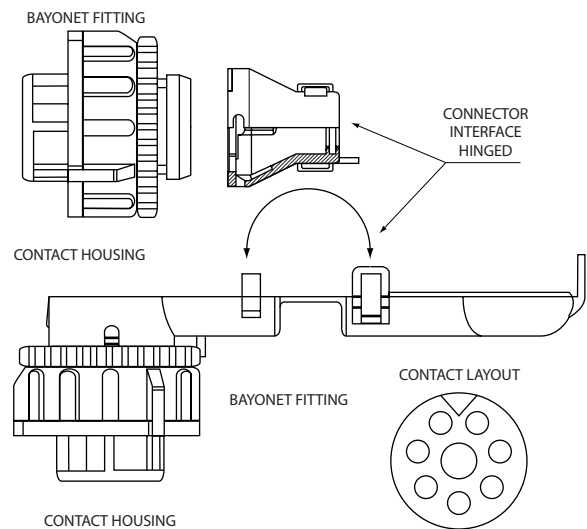
Contact Part No.	Size - mm / Type	Amps	Cable mm ²	Crimp Tool	Removal Tool	Pack Qty
7814125	6.7 Socket	13	0.5 - 1.5	A	A	1
7814128	Seal	-	0.35 - 1.0	-	-	1
7814130	Blind Seal	-	-	-	-	1

Sealed Connectors

Sealed Inline Connector - 5 Pole						
Part No.	Conduit Size - mm	Circuits	Contact Configuration - mm	Pack Qty		
SQ510	10	5	5 x 4.0	1		
SQ512	12	5	5 x 4.0	1		
<p><i>Kit contains :</i> Sockets 5 x 4.0 mm, Pins 5 x 4.0 mm, Socket Box x 1, Pin Box x 1, Seals x 10, Blind Seals x 4, 'O' Ring x 1, Connector Interfaces x 2.</p>						
Contact Part No.	Size - mm / Type	Amps	Cable mm ²	Crimp Tool	Removal Tool	Pack Qty
7814045	4.0 Socket	13	0.75 - 1.5	B	B	1
7815045	4.0 Pin	13	0.75 - 1.5	B	B	1
7814138	Seal	-	1.5	-	-	1
7814135	Blind Seal	-	-	-	-	1

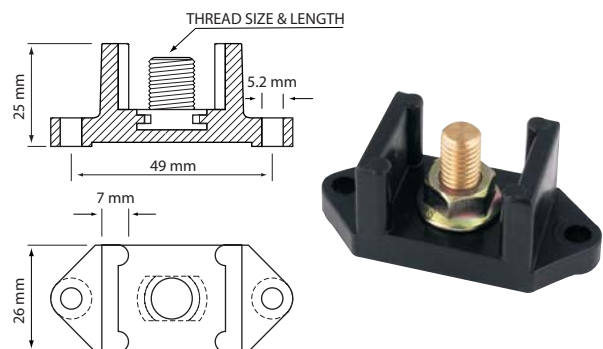


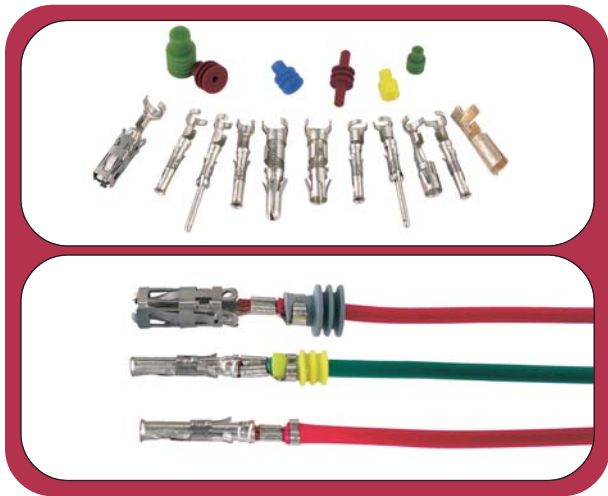
Sealed Connector - 8 Pole						
Part No.	Conduit Size - mm	Circuits	Contact Configuration - mm	Pack Qty		
SQ801	12	8	7 x 4.0 1 x 5.2	1		
Sealed Connector 90° - 8 Pole						
Part No.	Conduit Size - mm	Circuits	Contact Configuration - mm	Pack Qty		
SQ802	12	8	7 x 4.0 1 x 5.2	1		
<p><i>Kit contains :</i> Sockets 7 x 4.0 mm 1 x 5.2 mm, Contact Housing x 1, Seals x 8, Blind Seals x 4, Contact Lock x 1, Connector Interfaces x 1.</p>						
Contact Part No.	Size - mm / Type	Amps	Cable mm ²	Crimp Tool	Removal Tool	Pack Qty
7814047	5.2 Socket	13	0.5 - 1.0	C	C	1
7814050	2.7 Socket	13	0.5 - 1.0	C	C	1
7814136	Blind Seal	-	-	-	-	1
7814140	Seal	-	0.35 - 1.0	-	-	1



Junction Blocks

Junction Blocks			
Part No.	Thread Size	Stud Length - mm	Pack Qty
9500332	M8 x 1.25	19	1
9500340	M10 x 1.5	14	1
9501614	M6 x 1.0	19	1
<p><i>Supplied with nut.</i> Stud turned from Brass blank, body moulded from Polyamide 6.</p>			







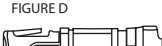
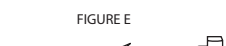
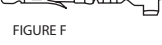


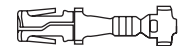








Contacts

The Schlemmer® range of conduit sealed or contact sealed connectors use a variety of different contacts along with differing sizes in seals and blind seals.

All Schlemmer® contacts are made from tinned copper and are specifically designed to create a perfect connection every time.

Seals and Blind Seals are manufactured from silicone.

 FIGURE A  FIGURE B  FIGURE C  FIGURE D  FIGURE E  FIGURE F  FIGURE G  FIGURE H  FIGURE I  FIGURE J		Contacts - Non Seal							
Part No.	Contact Dia. - mm	Type	Amperage	Cable Range - mm ²	Figure	Tool Type	Pack Qty		
7702973	3.5	Socket	25	2.5 - 6.0	C	D	1		
7814011	1.6	Socket	13	0.5 - 1.5	B	D	1		
7814038	3.5	Socket	25	2.5 - 6.0	E	D	1		
7815018	1.6	Pin	13	0.5 - 1.5	A	D	1		
7815034	3.5	Pin	25	2.5 - 6.0	D	D	1		
Contacts - Use Seal									
Part No.	Contact Dia. - mm	Type	Amperage	Cable Range - mm ²	Figure	Tool Type	Pack Qty		
7814125	6.7	Socket	13	0.5 - 1.0	J	A	1		
7814126	6.7	Socket	13	1.5 - 2.5	J	A	1		
7814045	4.0	Socket	13	0.75 - 1.5	G	B	1		
7814047	5.2	Socket	13	0.5 - 1.0	I	C	1		
7814048	5.2	Socket	13	1.5 - 2.5	I	C	1		
7814050	4.0	Socket	13	0.5 - 1.0	G	B	1		
7814051	4.0	Socket	13	1.5 - 2.5	G	B	1		
7815045	4.0	Pin	13	0.75 - 1.5	F	B	1		
7815048	5.2	Pin	13	1.5 - 2.5	H	C	1		
7815050	4.0	Pin	13	0.5 - 1.0	F	B	1		

 FIGURE A  FIGURE B  FIGURE C  FIGURE D  FIGURE E  FIGURE F		Seals & Blinds				
Part No.	Suit Connectors	Type	Cable Range - mm ²	Figure	Pack Qty	
7814128	SQ401, SQ409	Seal	0.5 - 1.5	E	1	
7814129	SQ401, SQ409	Seal	1.5 - 2.5	E	1	
7814130	SQ401, SQ409	Blind	-	F	1	
7814135	SQ510, SQ512	Blind	-	B	1	
7814136	SQ801, SQ802	Blind	-	D	1	
7814138	SQ510, SQ512	Seal	1.5	A	1	
7814140	SQ801, SQ802	Seal	0.35 - 1.0	C	1	
7814141	SQ801, SQ802	Seal	1.5 - 2.5	C	1	

General Information

Reference Manual Rev.01 - 02/2010

This reference manual supersedes all previous editions.

Total Source reserves the right to change, or discontinue products or specifications without notice. All data and assistance is given as a general guide only and the final decision on suitability and application must be with the customer.

Dimensions are offered as a guide only.

Warranty Statement

Total Source warrants the replacement only of products for a period of 12 months from date of purchase against faulty workmanship and material components.

All warranty claims may only be returned by prior arrangement.

Copyright

This publication is copyright.

All rights reserved. This publication may not be reproduced in full or in part by any means (electronic or mechanical) without the prior written permission of Total Source.

 &  are registered trade marks of AEI Pty. Ltd.

All other brand or product names are trademarks or registered trademarks of their respective owners.



VISIONALERT

TS TOTAL SOURCE

For your nearest distributor call
toll free : 1800 724 690
enquiries@totalsource.com.au
www.visionalert.com.au
www.totalsource.com.au

Available from :

