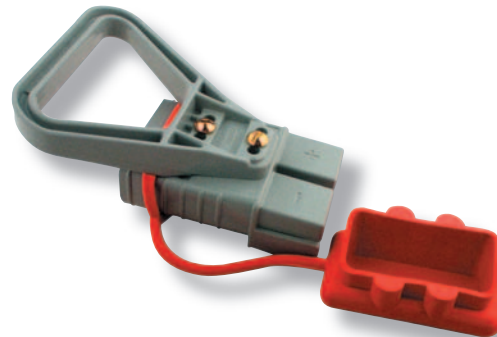


High Current Connectors

Total Source® SB series high current connectors provide a cost effective and reliable design for high current connections. A single piece housing made from impact resistant polycarbonate offers high physical strength and dielectric properties.

SB series high current connectors utilise a genderless design making the assembly process quick and easy and also helps to reduce the number of parts needed to make a connection.

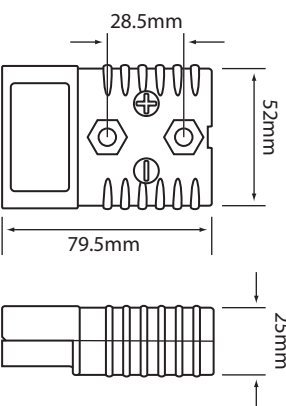
Silver contacts are used which allow the SB series high current connectors to be used as connectors in high current circuits up to 600 volts AC or DC.

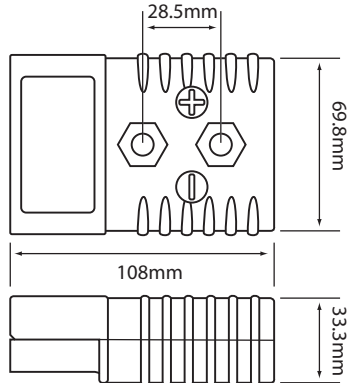


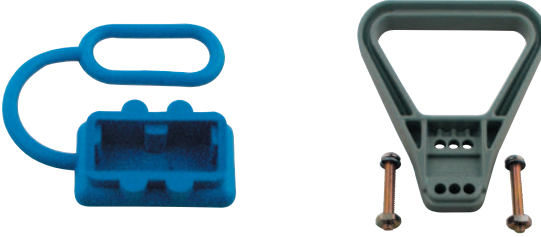
	50 Amp Connector			
	Part No.	Description	Amp Rating	Pack Qty
	SB50	2 pin connector	50	1
	Contact barrel wire size		1.3 to 13.3mm ²	
	Max. wire insulation diameter		27.94mm	

For your nearest distributor call toll free on : 1800 724 690

Heavy Duty Connectors

175 Amp Connector							
Part No.	Description	Amp Rating	Pack Qty				
SB175	2 pin connector	175	1				
		<table border="1"> <tr> <td>Contact barrel wire size</td> <td>21.1 to 53.5mm²</td> </tr> <tr> <td>Max. wire insulation diameter</td> <td>19.05mm</td> </tr> </table>		Contact barrel wire size	21.1 to 53.5mm ²	Max. wire insulation diameter	19.05mm
Contact barrel wire size	21.1 to 53.5mm ²						
Max. wire insulation diameter	19.05mm						

350 Amp Connector							
Part No.	Description	Amp Rating	Pack Qty				
SB350	2 pin connector	350	1				
		<table border="1"> <tr> <td>Contact barrel wire size</td> <td>67.4 to 152mm²</td> </tr> <tr> <td>Max. wire insulation diameter</td> <td>27.94mm</td> </tr> </table>		Contact barrel wire size	67.4 to 152mm ²	Max. wire insulation diameter	27.94mm
Contact barrel wire size	67.4 to 152mm ²						
Max. wire insulation diameter	27.94mm						

Accessories			
Part No.	Description	Suit Series	Fig No.
SB50-PC	Protective cover (blue)	SB50	1
SB175-PC	Protective cover (grey)	SB175	1
SB350-PC	Protective cover (red)	SB350	1
SB-handle	Bolt on handle	SB175/350	2
SB50-T	Terminal for connector	SB50	-
			

For your nearest distributor call toll free on : 1800 724 690