



HD30 Series

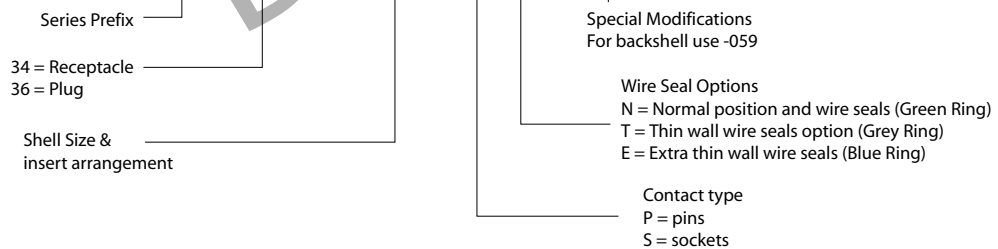
Deutsch® HD30 series connectors are an environmentally sealed, multi-pin connector ideal for use in heavy duty equipment.

It features a quick connect/disconnect bayonet coupling and is able to be panel mounted with the use of a nut and lock washer.

Deutsch® HD30 series connectors feature silicone seals for complete waterproofing and a convenient rear insertion/rear removal contact system.

Designed to be used in the heavy duty equipment and transportation industries where a sealed multi-pin connector is required that is able to withstand the harshest of environments.

HD36-24-21PN-****



		HD30 Series dimensions				
		Shell size	A (mm)	B (mm)	C (mm)	Fig
HD36 - Plug		18	42.98	38.2	30.99	1
		24	49.33	38.2	37.34	1
HD34 - Receptacle		18	33.76	41.7	30.99	2
		24	40.11	41.7	37.34	2

HD30 Accessories			
Part No.	Description	Shell Size	Fig No.
WHDS-18-1	Straight strain relief	18	1
WHDS-18-2	90° strain relief	18	2
WHDS-24-1	Straight strain relief	24	1
WHDS-24-2	90° strain relief	24	2
114020-90	Panel nut	18	3
114021	Panel lockwasher	18	4
112263-90	Panel nut	24	3
112264	Panel lockwasher	24	4
HDC34-18	Protective cap - plug	18	5
HDC34-24	Protective cap - plug	24	5
HDC36-18	Protective cap - socket	18	6
HDC36-24	Protective cap - socket	24	6

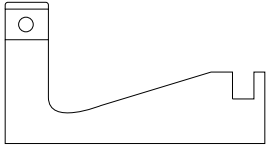


Fig 1

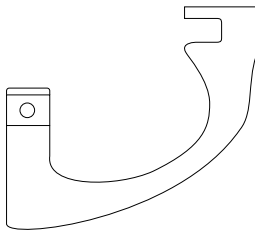


Fig 2

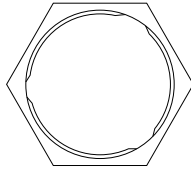


Fig 3

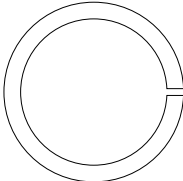


Fig 4

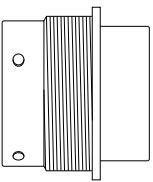


Fig 5

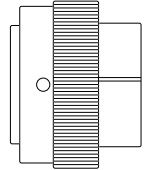
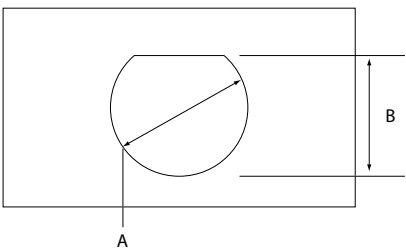
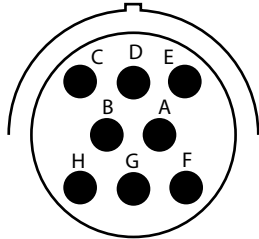


Fig 6

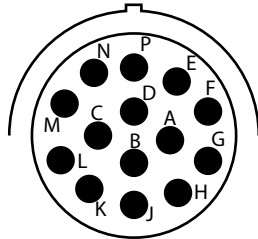
Recommended Size of Mounting Hole		
Shell Size	A (mm)	B (mm)
18	38.28	36.63
24	43.08	41.45



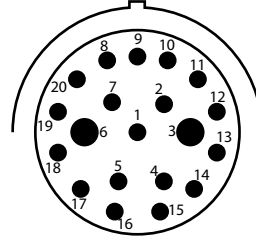
HD30 Shell size 18 insert and arrangements



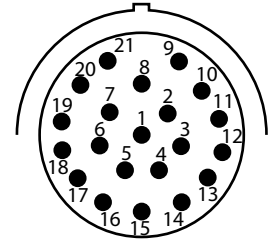
18-8
8 Size 12



18-14
14 size 16

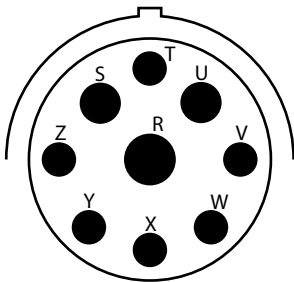


18-20
2 size 16 & 18 size 20

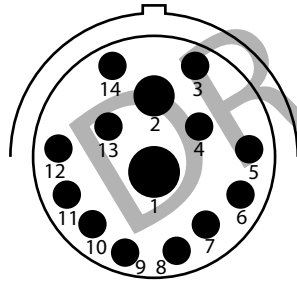


18-21
21 size 20

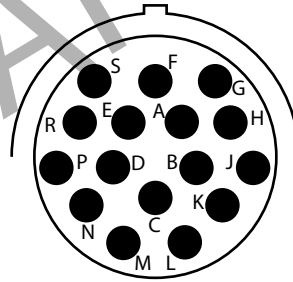
HD30 Shell size 24 insert and arrangements



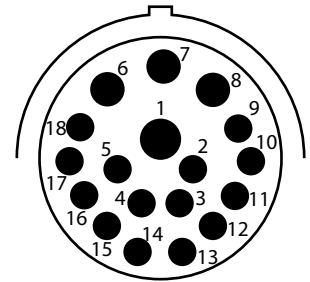
24-9
1 size 4, 2 size 8 & 6 size 12



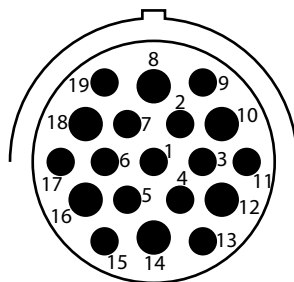
24-14
1 size 4, 1 size 12 & 12 size 16



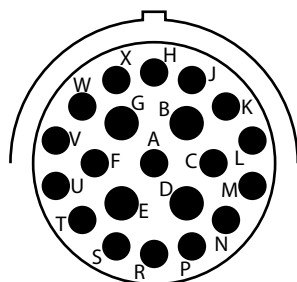
24-16
16 size 12



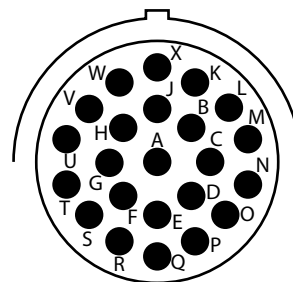
24-18
1 size 8, 3 size 12 & 14 size 16



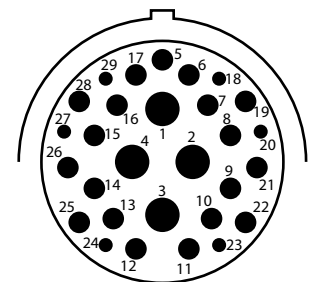
24-19
6 size 12 & 13 size 16



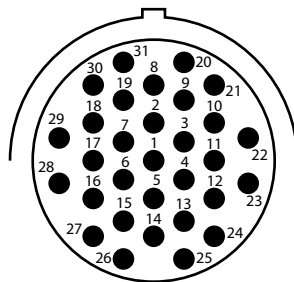
24-21
4 size 12, 17 size 16



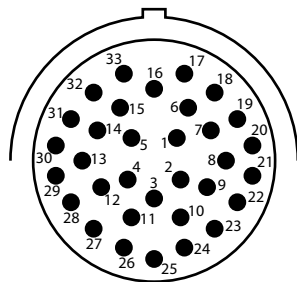
24-23
23 size 16



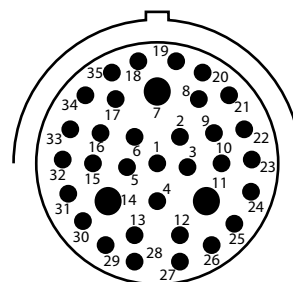
24-29
4 size 12, 19 size 16 & 6 size 20



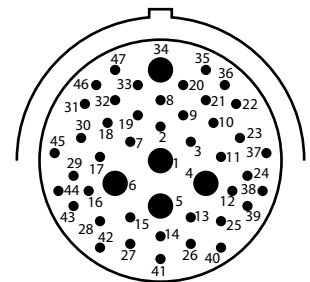
24-31
31 size 16



24-33
33 size 20



24-35
3 size 16 & 32 size 20



24-47
5 size 16 & 42 size 20